



2-1/4" Door Installation Supplement

LINCOLN SWING PATIO DOORS

This supplement sheet is to be used with the **Flanged Patio Door Installation Instructions**. Refer to the **Flanged Patio Door Installation Instructions** for all other aspects of installation process.

DOOR INSTALLATION FOR 9-0 AND 10-0 HEIGHT UNITS WITH PANELS SHIPPED LOOSE.

1. Install frame, without the door panels, into the prepared rough opening (Fig. 1).

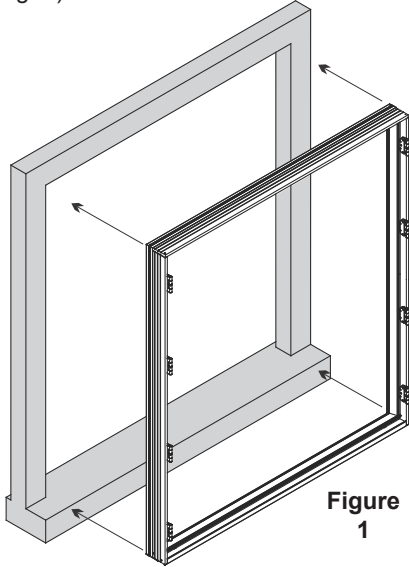


Figure 1

2. In order for the door to operate properly, it's critical that the frame is plumb and square in the rough opening (Fig. 2). **Failure to do so may negate Lincoln's Limited Warranty.**

Once plumb and square, each hinge will need to have two of the supplied 2-1/2" PH FH Screws installed through the open hinge holes into the framing material to secure it into the rough opening (Fig. 2 & 3).

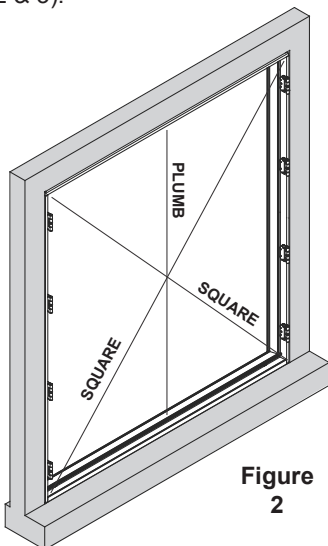


Figure 2

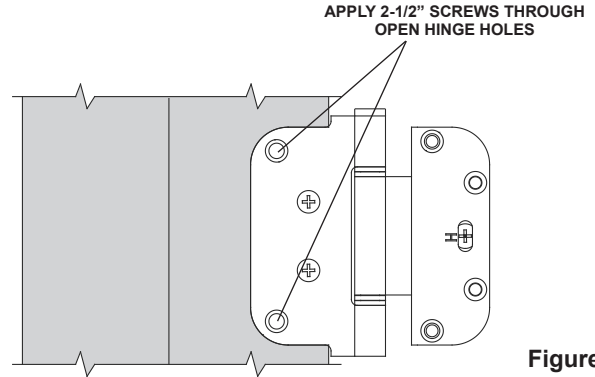


Figure 3

3. Install panels to hinges on frame using the supplied 1-3/4" screws (Fig. 4 & 5).

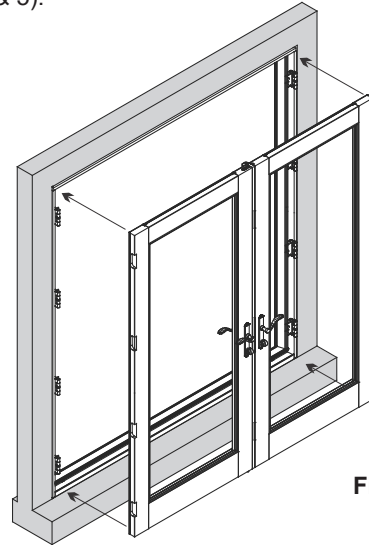


Figure 4

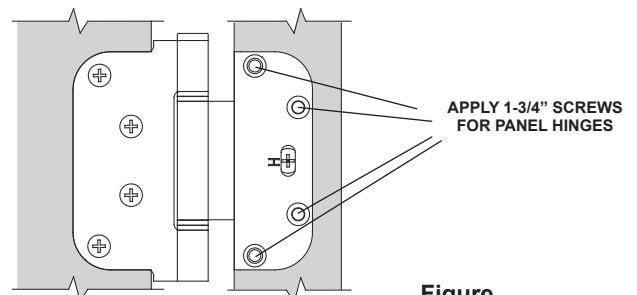


Figure 5